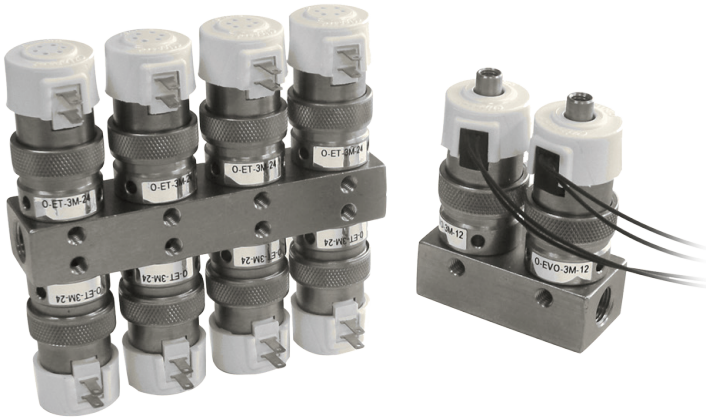


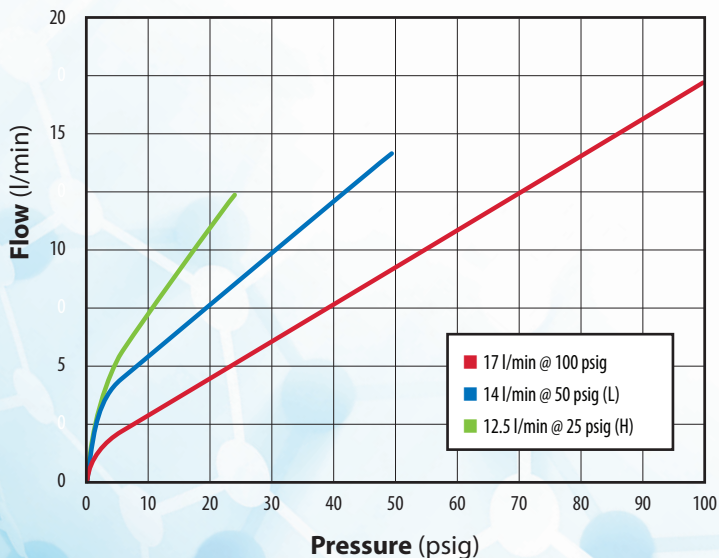
OXYGEN CLEAN EV SERIES



For applications that are particularly sensitive to contamination, Clippard's EV series valves are also available in an oxygen clean version. Oxygen clean EV valves are manufactured and assembled using a special cleaning process that includes:

- Ultrasonic cleaning, assembly, inspection, and testing in one of Clippard's ISO 7 (class 10,000) rated clean rooms
- All wetted parts cleaned to meet and/or exceed ASTM G93 Level E NVR and Level 500 Particulate and Fibers
- No organic sealants, adhesives, or lubricants used in the manufacturing process
- Component parts lubricated with oxygen-compatible PFPE grease (*only as needed for assembly*)
- Individual testing and inspection utilizing compressed Nitrogen and ultra-violet light

TYPICAL FLOW



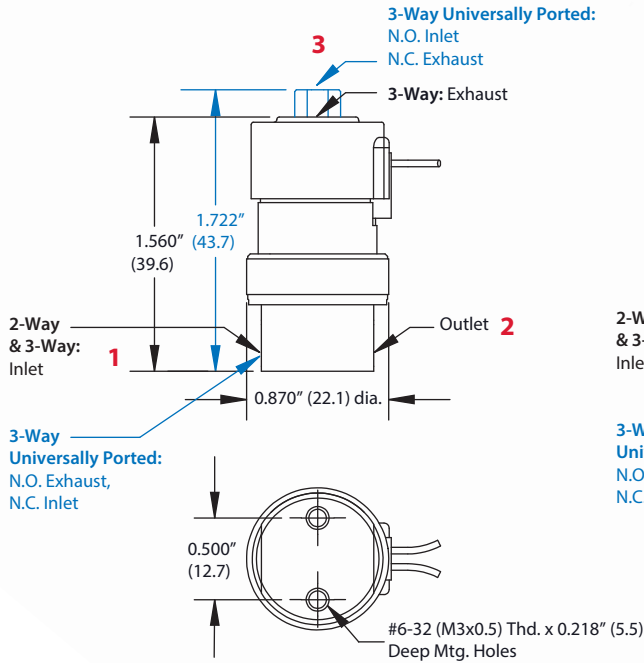
Coil Resistance	218 (12V), 864 (24V)
Connection	Pin connector, spade terminals, radial wire leads, or axial wire leads
Current	0.055A (12V), 0.028A (24V)
Cycle Life	>1,000,000,000 (<i>ideal applications</i>)
Filtration	40 micron filter (<i>recommended</i>)
Function	2-way normally-open or normally-closed; 3-way normally-open, normally-closed, or universally ported
Leak Rate	0.1 sccm
Material, Body	Nickel-plated brass, ENP carbon steel, nickel iron alloy, 300 series stainless steel
Material, Seals	FKM
Material, Spring	Nickel alloy
Material, Wetted	ENP brass, nickel alloy, stainless steel, ENP steel
Max. Flow	17 l/min @ 100 psig (7 bar), 14 l/min @ 50 psig (3.4 bar), or 12.5 l/min @ 25 psig (1.7 bar)
Max. psig	105 (7.2 bar)
Medium	Clean, dry air and compatible gases
Mount	In-line or manifold
Number of Ports	2 or 3
Operating Pressure	28" Hg to 25, 50, or 100 psig (1.7, 3.4, or 7 bar)
Operating Range	90 to 150% of rated voltage
Operating Temp. Range	32 to 180°F (0 to 82°C)
Orifice	0.060", 0.040", or 0.025" (1.52, 1.02, or 0.64 mm)
Port, Exhaust	#10-32 or M5
Port, Inlet	Manifold: #10-32 male or M5 In-Line: #10-32 female or M5
Port, Outlet	#10-32 or M5 (in-line)
Response Time	5 to 10 ms (nominal) @ 25 psig (1.7 bar)
Voltage	12 or 24 VDC
Voltage Operating Range	90 to 150%
Wattage	0.67 watts (nominal)
More Details	clippard.com/link/ev-series

¹Minimum order quantity required

Does your application have requirements beyond what is listed? Contact Clippard to discuss how this valve can be modified to meet your specific needs.

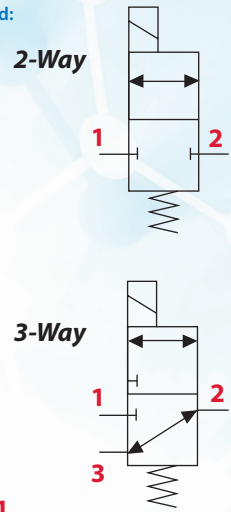
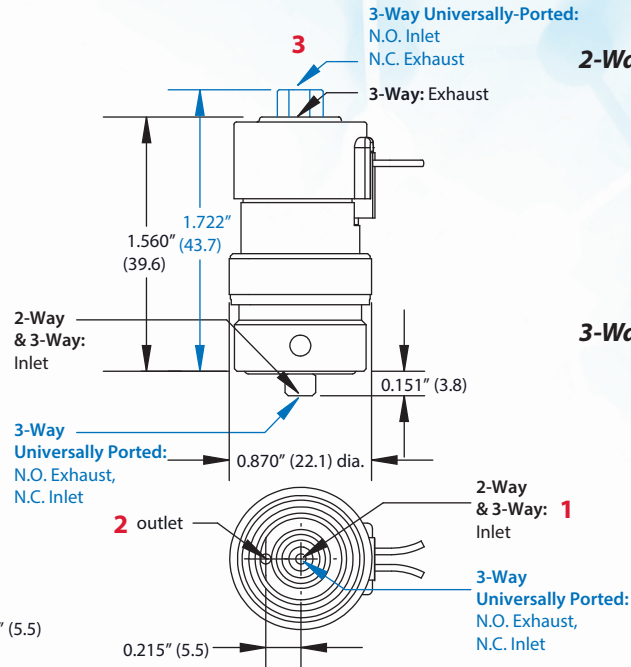
Inline Mount

2-Way, 3-Way, and 3-Way Universally Ported



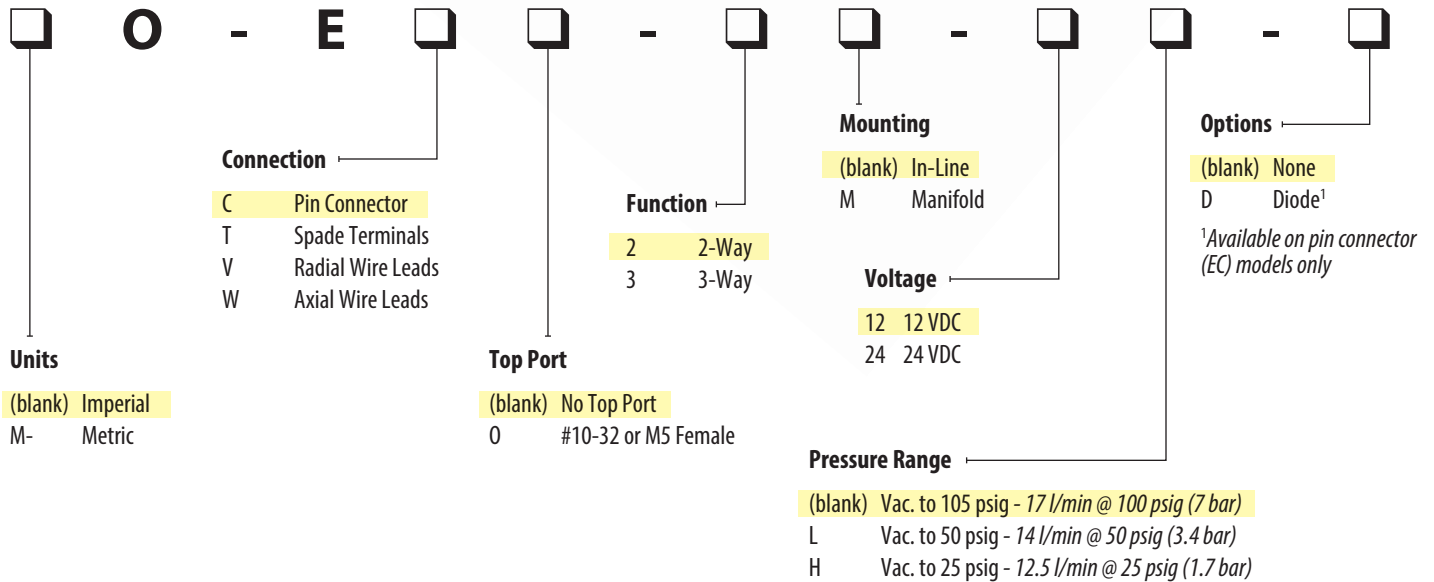
Manifold Mount

2-Way, 3-Way, and 3-Way Universally Ported



Dimensions shown are in inches (millimeters listed in parentheses).
Visit clippard.com for more detailed 2D and 3D drawings.

ORDERING INFORMATION



Example Part Number:

0-EC-2-12

For more info, scan the QR code or visit

clippard.com/link/ev-series

